

30" MANHOLE FRAME
AND VENTED COVER

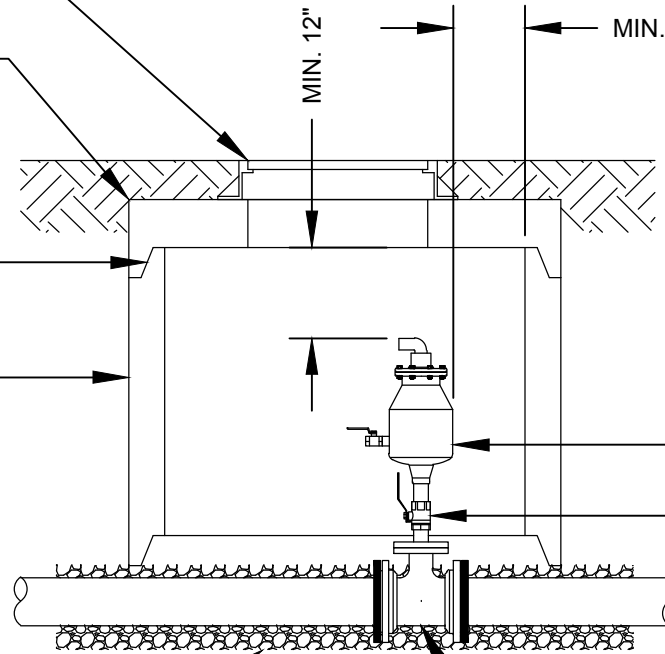
60" HS-20 LOAD RATED
PRECAST FLAT TOP

PREFORMED BUTYL
JOINT SEAL

60" PRECAST
MANHOLE SECTION

MIN. 12"

MIN. 12"



COMBINATION AIR/VACUUM VALVE

- (1) MNPT x MNPT TYPE 316 SS NIPPLE
- (1) FNPT x FNPT TYPE 316 SS BALL VALVE
- (1) MNPT x MNPT TYPE 316 SS NIPPLE
- (1) 4" BLIND FLANGE WITH FNPT TAP

#57 STABILIZATION STONE

FORCE MAIN DIA. x 4" MJ x FLG TEE
WITH RESTRAINED JOINT GLANDS

PEACHTREE CITY WATER & SEWERAGE AUTHORITY STANDARD DETAIL

COMBINATION AIR VACUUM VALVE

REVISED: 08/31/2015

SCALE: N.T.S.

DETAIL NO.

114